



- Classic Double High Density Flexible LED Strip
- High CRI >90, SMD 2835 LED
- High luminous efficiency, up to 100lm/W
- High color consistency, SDCM<5, optional for SDCM<3
- Beam Angle 120°
- Durable 3oz Rolled Copper FPC
- 6 LEDs/section, 25mm (0.98") cuttable unit
- 5-meter roll electrostatic bag package
- IP20, IP65 and IP67 version available
- 50,000H @L70 long lifetime



## ORDERING GUIDE

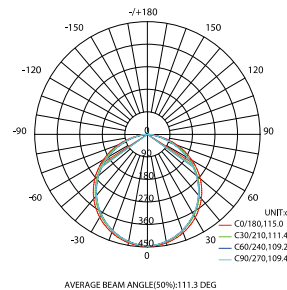
PART #	INPUT (Vdc)	POWER/ M (W)	POWER/ FT (W)	# OF LEDs/M	EFFICACY lm/W	CRI	Voltage Range	Reverse Voltage	PCB Width	FINISH
SR2835-24024-1910	24V	19.2	5.85	240	90	90	23~25Vdc	25Vdc	10mm	White FPC Board

## LUMENS PER METER

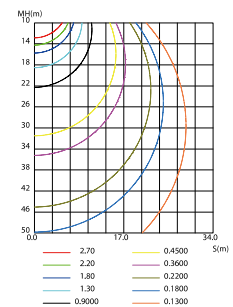
## LUMINAIRE PHOTOMETRIC

Color Temperature	Lumen per meter
2200K	1300lm
2400K	1420lm
2700K	1500lm
3000K	1550lm
4000K	1630lm
5000K	1770lm
6000K	1720lm

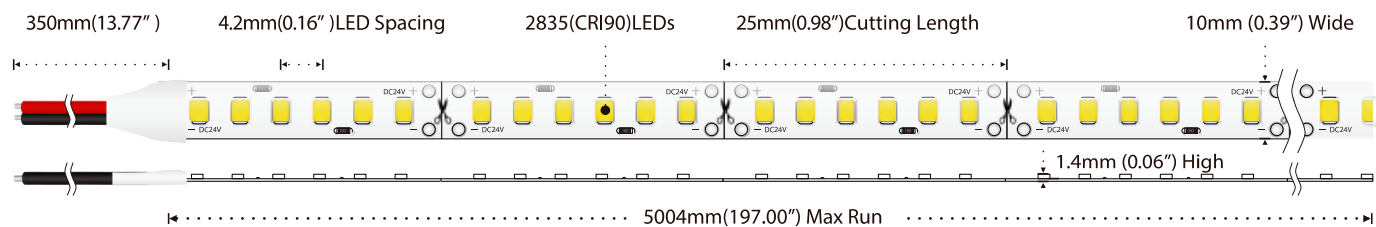
### LUMINOUS INTENSITY DISTRIBUTION DIAGRAM



### CO PLANE ISOLUX DIAGRAM (UNIT: lx)



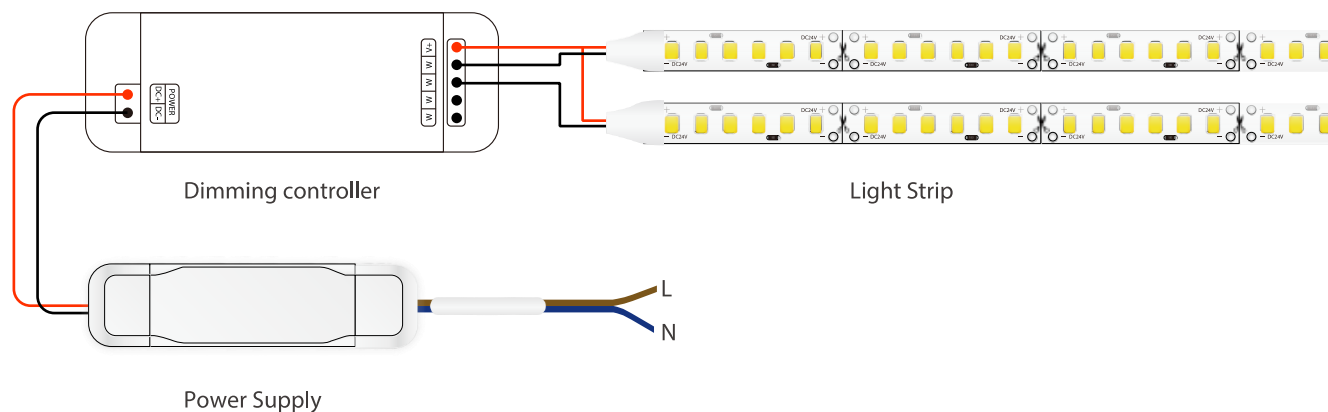
## DIMENSION



## ACCESSORIES

1 Part#: S10-SS2A 10mm Strip-to-Strip	2 Part#: S10-SW2 10mm Strip-to-Wire	3 Part#: S10-SW2C 10mm Strip-to-Wire	4 Part#: 2WWI 2 wire-to-wire fast connector	5 Part#: 2WWT 2 wire-to-wire T fast connector
6 Part#: F10L 10mm FPC L-connector	7 Part#: F10T 10mm FPC T-Connector	8 Part#: F10T 10mm FPC X-Connector	9 Part#: S10FD 10mm Dome Strip Fixing Holder	10 Part#: S10FF 10mm Flat Strip Fixing Holder

**POWER CONNECTION DIAGRAM**



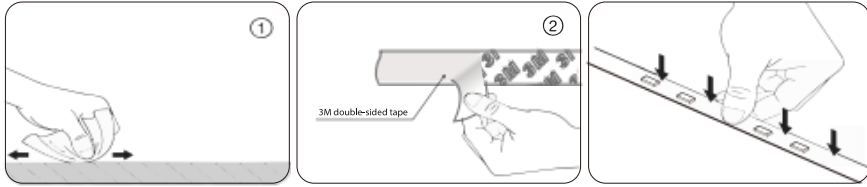
**RECOMMENDED POWER SUPPLIES**

Item Number	Description	Input Voltage	Output Voltage	Dimmable	Dimensions
DVH60-24-P0-G1 CP	Non-waterproof driver 60W	120~277Vac	DC24V 2.5A	NO	187×45×30.5
DVH75-24-P0-G1 CP	Non-waterproof driver 75W	120~277Vac	DC24V 3.125A	NO	187×45×30.5
DVH120-24-P0-G1 CP	Non-waterproof driver 120W	120~277Vac	DC24V 5.0A	NO	268×45×30.5
DVH150-24-P0-G1 CP	Non-waterproof driver 150W	120~277Vac	DC24V 6.25A	NO	268×45×30.5

**RECOMMENDED ALUMINUM PROFILES**

Image	Section Diagram	Install	Dimension	Slot Size	Cover	PCB Width	Power
			15mm×7mm	-	Transarent/Milk	≤ 10mm	≤ 10W/M
			24mm×15mm	21mm×16mm	Transarent/Milk	≤ 12mm	≤ 18W/M
			17mm×15mm	-	Transarent/Milk	≤ 12mm	≤ 16W/M
			20mm×20mm	-	Transarent/Milk	≤ 15mm	≤ 15W/M
			16mm×16mm	-	Transarent/Milk	≤ 10mm	≤ 15W/M
			21mm×26mm	24mm×28mm	Transarent/Milk	≤ 8mm	≤ 20W/M
			17mm×8mm	-	Transarent/Milk	≤ 12mm	≤ 15W/M
			25mm×8mm	21mm×8mm	Transarent/Milk	≤ 12mm	≤ 15W/M

**INSTALLATION**



Clean the environment part to be attached with a cloth, as shown in Figure 1, and then tear off the 3M tape on the back of the light belt, and finally stick the light belt on the clean place.

\*Please refer to the installation manual for details

**PACKAGING**

Strip Length	Net Weight	Reel Size	Electrostatic Bag Size	# of Bags / Inner Box	Inner Box Dimension	Inner Box Gross Weight
5 meters/reel	0.16 kg	7 x 12 mm	240 x 220 mm	25	360x240x240 mm	4 kg
# of Inner Box / Carton Box	# of Reels / Carton Box	Carton Box Dimension	Gross Weight	# Boxes / 20' FCL	Volume	Weight
2	50	500x260x380 mm	9.3 kg	500	25 CBM	4,650kg

